

Hearing glasses made in Austria



AN*Evo1*

contact star 
evo1



Glasses

with integrated hearing systems from BHM

BHM hearing spectacles offer hearing systems that can not only be integrated seamlessly into conventional eyewear but also stand out for their reliable technology – without any surgical risk.



AN-Evo1 – the world's first digitally programmable bone conduction hearing glasses

See better, understand better. The bone conduction hearing glasses **AN-Evo1** combines excellent sound quality with the highest level of comfort. **AN-Evo1** provides reliable assistance for both conductive and combined hearing impairment in an elegant and highly effective manner. The large range of fashionable fronts means that you can be sure of an attractive appearance as well as an unobtrusive hearing device.

contact star evo1 – the world's first digital bone conduction hearing glasses adjusted with In-Situ audiometry

The contact **star evo1** is fully programmable. These hearing glasses can be adapted to each respective wearer by means of In-Situ audiometry. And all this with a wide range of BHM frame fronts that integrate this highly precise bone conduction hearing device discreetly in the temples.



Sound Dynamix
(BHM Automatic) 



Individual solutions and custom made products

Bespoke manufacture is possible on request – an excellent solution for an individual pair of glasses customised precisely to your wishes and requirements. For individual solutions and custom made products please contact us.

Bone conduction hearing temple

AN-Evo1

Description	Colour	Article Number	
		left	right
Device temple	Brown	77733103	77733104
Device temple	Black	77733105	77733106
Dummy temple	Brown	77733114	77733115
Dummy temple	Black	77733116	77733117



Colour: Brown



Colour: Black

contact star ev01

Description	Colour	Article Number	
		left	right
Device temple	Brown	77733334	77733348
Device temple	Black	77733349	77733350
Dummy temple	Brown	77733338	77733339
Dummy temple	Black	77733340	77733341



Colour: Brown



Colour: Black

Fronts metal

for AN-Evo1 and contact star evo1

Model “Nikolai”

Size	Measurement		Article Number					
	B	C	Gold	Silver	Black	Grey	Red	Blue
55 / 20	55 mm	20 mm	77733170	77733171	77733172	77734784	77734785	77734783
57 / 20	57 mm	20 mm	77733167	77733168	77733169	77734787	77734788	77734786
59 / 20	59 mm	20 mm	77733381	77733382	77733383			



Colour: Gold



Colour: Silver



Colour: Black



Colour: Grey



Colour: Red



Colour: Blue

Model “Sportivo”

Size	Measurement		Article Number	
	B	C	Silver	Black
59 / 14	59 mm	14 mm	77733179	
63 / 14	63 mm	14 mm	77733386	77733387



Colour: Silver



Colour: Black

Model "Josephine"

Size	Measurement		Article Number					
	B	C	Gold	Silver	Black	Grey	Red	Blue
51 / 18	51 mm	18 mm	77733375	77733376	77733377	77734790	77734791	77734789
53 / 18	53 mm	18 mm	77733176	77733177	77733178	77734793	77734794	77734792
55 / 18	55 mm	18 mm	77733173	77733174	77733175			



Colour: Gold



Colour: Silver



Colour: Black



Colour: Grey



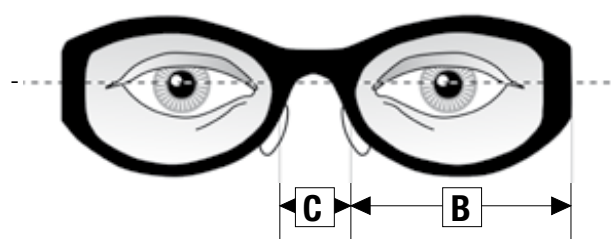
Colour: Red



Colour: Blue

Model "Lars"

Size	Measurement		Article Number
	B	C	Silver
56 / 16	56 mm	16 mm	77734602



Colour: Silver

Fronts plastic

for AN-Evo1 and contact star evo1



Model "Thomas"

Size	Measurement		Article Number Brown/Black
	B	C	
53 / 20	53 mm	20 mm	77733949
56 / 21	56 mm	21 mm	77734428



Model "Erik"

Size	Measurement		Article Number Brown/Black
	B	C	
53 / 20	53 mm	20 mm	77733950
56 / 21	56 mm	21 mm	77734427



Model "Celine"

Size	Measurement		Article Number Crystal
	B	C	
51 / 20	51 mm	20 mm	77734429



Model "Frances"

Size	Measurement		Article Number Bordeaux-Red
	B	C	
51 / 20	51 mm	20 mm	77734430
53 / 20	53 mm	20 mm	77734885



Model "Tony"

Size	Measurement		Article Number Dark blue
	B	C	
56 / 15	56 mm	15 mm	77735021
59 / 17	59 mm	17 mm	77735040



Model "Izzy"

Size	Measurement		Article Number Black
	B	C	
56 / 20	56 mm	20 mm	77735022

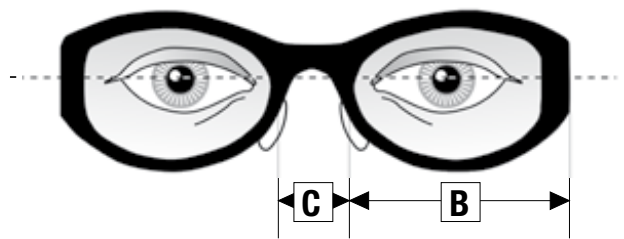




You too can
hear again – with
your glasses

Model “Florence”

Size	Measurement		Article Number
	B	C	
51 / 20	51 mm	20 mm	77734426
53 / 20	53 mm	20 mm	77733933



Extension tips*

for AN-Evo1 and contact star evo1

for all models, except model “Florence”

Size	Total length appr.				Article Number					
	AN-Evo1		contact star evo1		Gold	Silver	Black	Grey	Red	Blue
	mm	inch	mm	inch						
1	78.50	3.08	73.50	2.89	77733367	77733369	77733368			
2	82.00	3.22	77.00	3.02	77733356	77733357	77733358			
3	85.50	3.36	80.50	3.16	77733184	77733187	77733190	77734796	77734797	77734795
4	89.00	3.50	84.00	3.30	77733185	77733188	77733191	77734799	77734800	77734798
5	92.50	3.64	87.50	3.44	77733186	77733189	77733192	77734802	77734803	77734801
6	96.00	3.77	91.00	3.57	77733396	77733397	77733398			
7	99.50	3.91	94.50	3.71	77733399	77733400	77733401			
8	103.00	4.05	98.00	3.85	77733402	77733403	77733404			



Colour: Gold



Colour: Silver

Colour: Black

Colour: Red

Colour: Blue

Colour: Grey

Colour: Gold

For individual attachment

Hearing system	Size	Total length appr.	Article Number		Description	Article Number
			Brown	Black		
contact star evo1	XL	up to 108 mm	77734433	77734434	coupler for temples L+R	77734876
AN-Evo1	XL	up to 118 mm	77733196	77733197		



Colour: Brown



Colour: Black



* only available in pairs

for model “Florence”

Size	Total length appr.				Article Number
	AN-Evo1		contact star evo1		
	mm	inch	mm	inch	
3	85.50	3.36	80.50	3.16	77734110
4	89.00	3.50	84.00	3.30	77733940
5	92.50	3.64	87.50	3.44	77733941
6	96.00	3.77	91.00	3.57	77733942



Colour: Silver

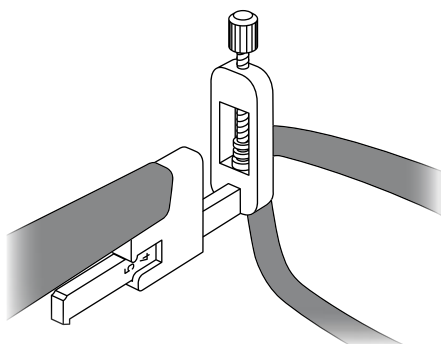


Fig. 1
To determine the exact length of extension tips, please use measuring tool MA1. (See accessories)

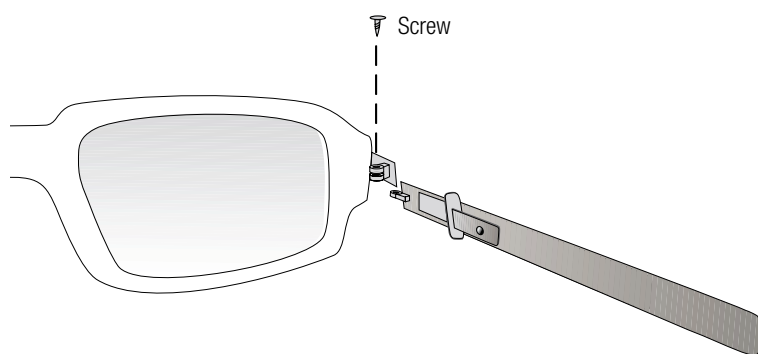


Fig. 2
Attach the extension tip to the frame with a screw.

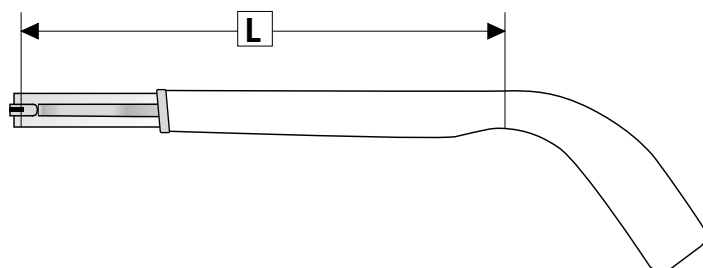


Fig. 3
After snapping on the bone conduction spectacles, you will get the approximate length of the temple (from the screw to the temple crook).

Accessories

for AN-Evo1 and contact star ev01

Description	Article Number
Programming cable VBK No. 99/150-BLUE	77733409
Programming cable VBK No. 99/150-RED	77733408
Spectacles hard case	77733181
Cleaning tissue	77733151
Measuring tool MA1 ¹	77733215
BHM drying system	77734869
Presentation case made of plastic ²	77733546
Frame heater ³	

¹ To determine the length of the temples, two measuring adapters MA1 are required.

² Measurement: 340 mm long, 300 mm wide, 70 mm high; foam can be adapted on request; case can be equipped with individual components as required.

³ In order to adapt (bend) the hearing aid spectacles, it must first be heated in the bending area designed for the purpose. Further information is available in our folder "Tips & Tricks". Please don't hesitate to contact us if you require a frame heater!



VBK left/blue



VBK right/red



Spectacles hard case



Cleaning tissue
(Sample illustration)



Measuring tool MA1



BHM drying system



Presentation case inside



Presentation case outside



Frame heater

Further information on orders and BHM software



To place an order or make an enquiry, please contact order@bhm-tech.at at any time or order directly via our online shop at www.bhm-tech.at/shop.

If you require the latest BHM software, please get in touch! We will do our best to provide you with the fitting software and further information about the software as soon as possible. With the programs BHMFit contact star evo1 and BHMFit2, you can program your hearing glasses in just a few easy steps.

Programming devices are also available from us.

www.bhm-tech.at







BHM-Tech Produktionsgesellschaft mbH
Grafenschachen 242
7423 Grafenschachen, Austria
www.bhm-tech.at



According to EU directive 93/42/EEC
Quality management system according to DIN EN ISO 13485

Responsible for content: BHM / Layout: RABOLD UND CO.
Photos: BHM, Erwin Muik, RABOLD UND CO., Shutterstock

